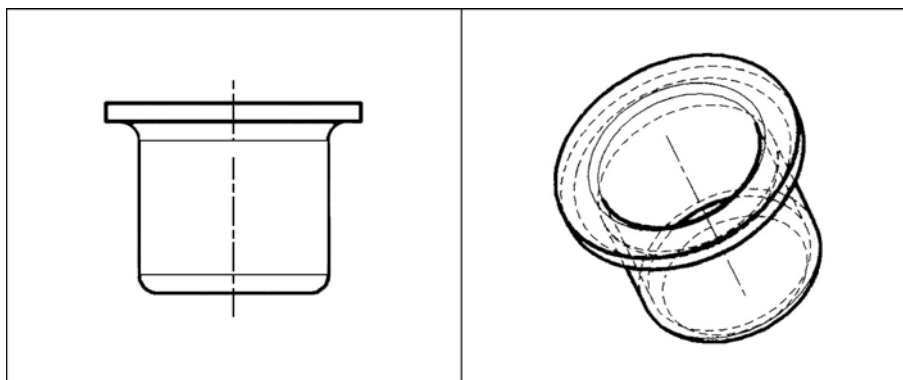
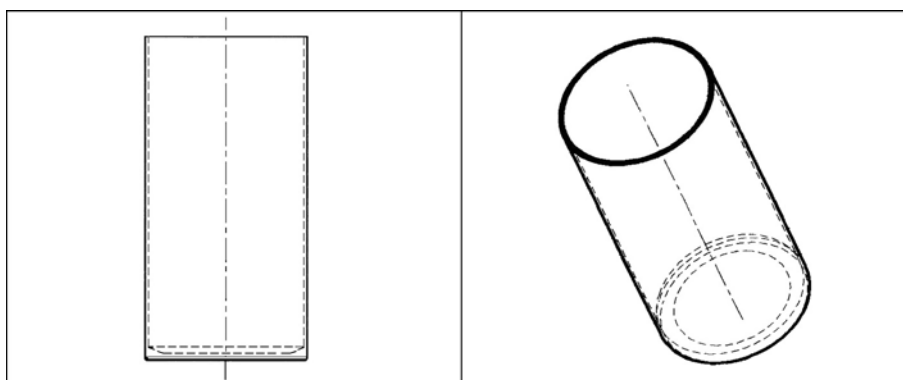


## CRUCIBLE in PLATINUM and PLATINUM ALLOY



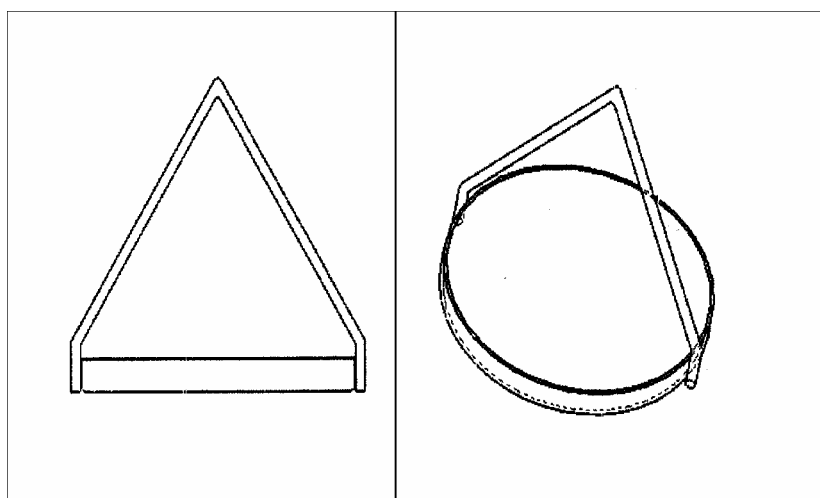
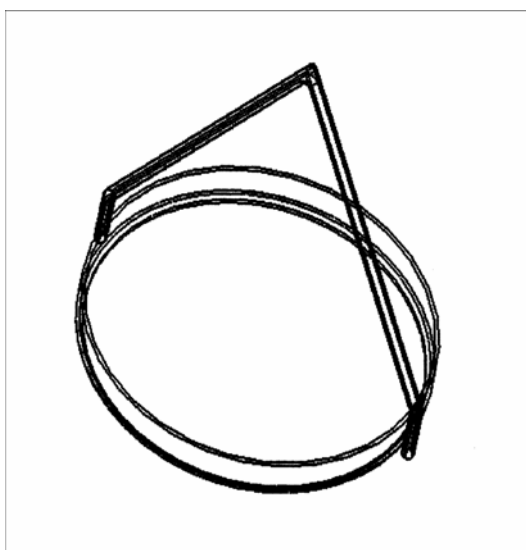
Art.-N°	Ø	Height	Material
	mm	mm	
<b>CRUCIBLE FOR TGA</b>			
200 010	6,10	1,90	Platinum



Art.-N°	Ø	Height	Material	Packing units pces
	mm	mm		
<b>CRUCIBLE FOR ATD-DSC</b>				
200 050	4,90	8,00	Pt/Rh10	100

- Other sizes and shapes on demand, for example recessed bottom as centring device
- We can buy your used crucibles

## CRUCIBLE in PLATINUM with ARCH



Art.-N°	Ø	Height	Material
	mm	mm	
<b>FLAT CRUCIBLE WITH ARCH</b>			
200 100	9,30	1,00	Platinum

**- Max. weight 0,220 g on demand**